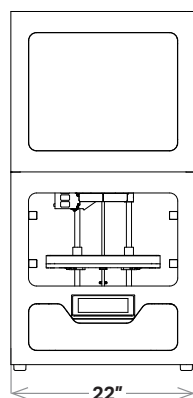


# Metal X (Gen 2)

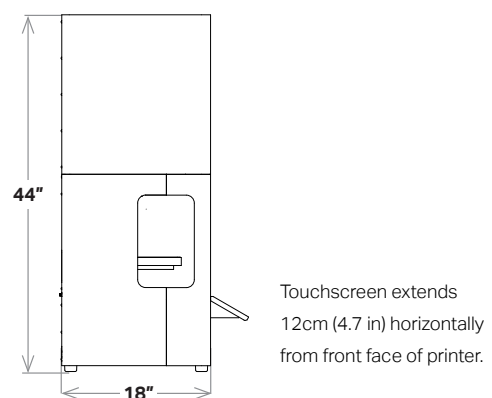
The Metal X is a revolutionary 3D printer that prints metal powder bound in a plastic matrix to eliminate safety risks associated with traditional metal 3D printing methods while enabling new features like close-cell infill for reduced part weight and cost. It's up to 10x less expensive than alternative metal additive manufacturing technologies — and up to 100x less than traditional fabrication technologies like machining or casting. Affordable, reliable, and easy to use, the Metal X print system gives you everything you need to go from design to fully functional metal parts faster than ever before.

<b>Printer Properties</b>	<b>Process</b>	Metal fused filament fabrication
	<b>Build Volume</b>	300 x 220 x 180 mm (11.8 x 8.7 x 7.1 in)
	<b>Machine Size</b>	575 x 467 x 1,120 mm (22.7 x 18.4 x 44.1 in), 75 kg (160 lbs) Touchscreen: 12 cm (4.7 in) horizontal extension
	<b>Print Chamber</b>	Heated
	<b>Print Bed</b>	Heated, vacuum-sealed print sheet, auto bed leveling
	<b>Print System</b>	Two nozzles — Metal material and release material
	<b>Power Requirements</b>	100–120 / 200–240 VAC (12A / 6A), IEC 60320 type C20
	<b>RF Module</b>	Operating Band 2.4 GHz Wi-Fi Standards 802.11 b/g/n
<b>Materials</b>	<b>Metal Material</b>	Stainless steel (17-4 PH), Tool steel (H13, A2, D2), Inconel 625, Copper
	<b>Release Material</b>	Ceramic (consumed at 1:10 ratio to metal spools, on average)
	<b>Media (Spools)</b>	Filament fed, bound powder
<b>Part Properties</b>	<b>Max Part Size</b>	250 x 183 x 150 mm (9.8 x 7.2 x 5.9 in), 10kg
	<b>Supports</b>	Metal material with ceramic release layer
	<b>Layer Height</b>	50µm and 125µm post-sinter
<b>Software</b>	<b>Supplied Software</b>	Eiger Cloud (Other options available at cost)
	<b>Security</b>	Two-factor authentication, org admin access, single sign-on

FRONT VIEW



SIDE VIEW



**Note:** All specifications are approximate and subject to change without notice.